

Make Your Own Fabric Blanket Binding

The Woolly Thread

8850 Coolidge Road, Yakima, WA 98903

Tel: 425.241.7489

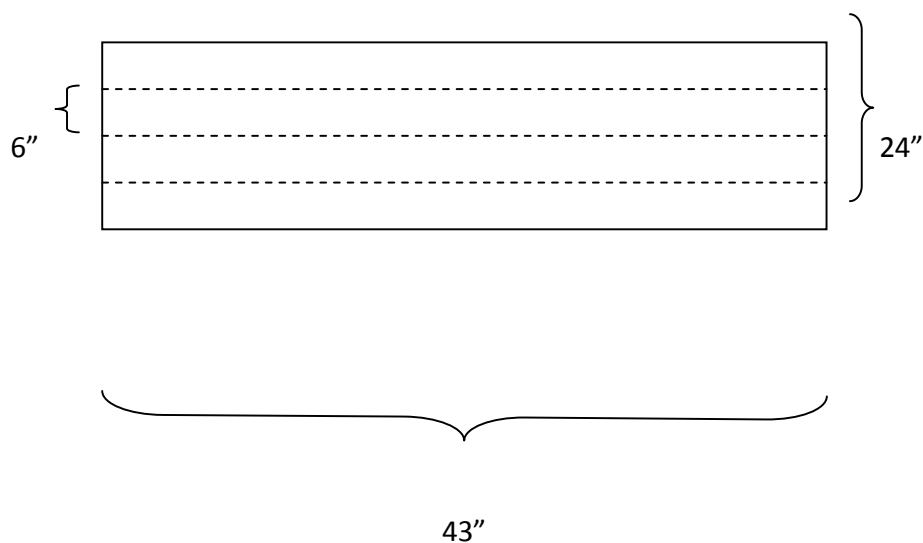
e-mail: info@woolythread.com

web: www.woolythread.com

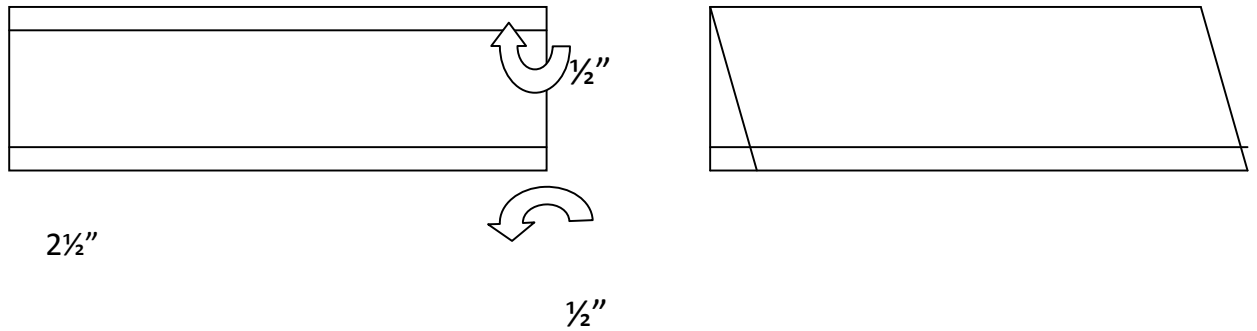
Fabric Bound Wool Blanket

If you intend to wash the finished blanket, it is recommended that you wash the wool fabric in cold water and let it air dry. Machine wash and dry the cotton fabric.

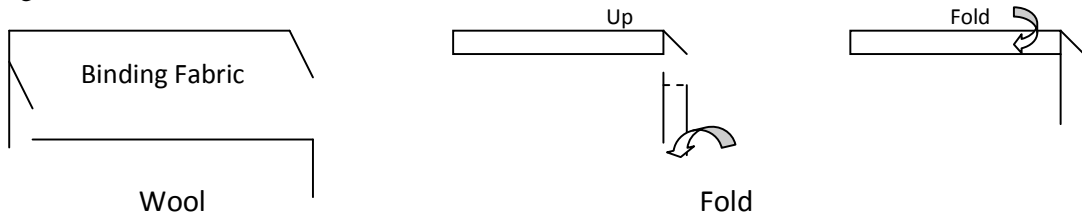
Begin by choosing a fabric for your binding. You will need about two-thirds of a yard (43" width) of fabric for a crib blanket measuring 40" x 36". The best way to judge how much yardage you will need is to decide on the size blanket you want, and then measure the perimeter of the desired blanket. For instance, a crib blanket measuring 40" x 36" has a perimeter of 152" (2 times the length plus 2 times the width). Divide the perimeter by the width of the fabric ($152" \div 43" = 3.53$). Always round up to the next number (if the pattern repeat is more than several inches, round up another number). Then multiply the rounded up number by 6 ($4 \times 6" = 24"$). This is the amount of fabric you need to make the binding for a blanket of this size. * In this case – 24" or two-thirds of a yard of fabric (43" wide). Cut your fabric lengthwise in 6" strips. You will get 4 strips measuring 6" x 43" (a total of 172"). Sew the ends of the strips together to form one continuous strip being sure to match the pattern so as to make the seams as inconspicuous as possible. Even with the seam allowances and pattern matching, your strip will be more than enough for a blanket with a perimeter of 152".



Press a 1/2" seam allowance on both sides of the long strip. Then fold in half lengthwise and press again, being sure to line up the edges. The finished, folded binding should be 2 1/2" wide.

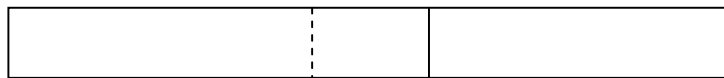


Place the edge of the blanketing wool inside the binding. Pin the binding in place. Miter the corners by folding the extra fabric back under the fold at the corners.

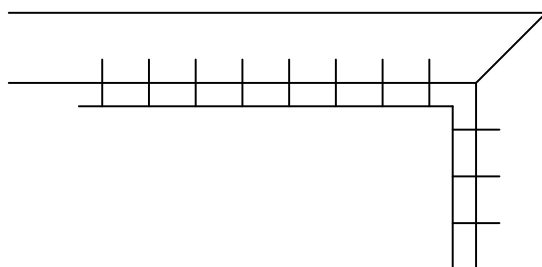


*See below for more blanket sizes and fabric requirements.

Once the binding has been placed all around the blanket, fold under the top edge of the fabric where the beginning and the end of the binding meet – pin in place.



Blanket stitch either by machine or by hand all around the binding, being sure to catch the edge on the back as well as on the front of the blanket. Then hand stitch together the open seams at the mitered corners and where the binding was ended



Fabric requirements for blanket binding – based on a fabric width of 43 inches.

Twin size	(66" x 90")	requires 48"	(one and a third yards)	of fabric.
Full size	(80" x 90")	requires 54"	(one and a half yards)	of fabric.
Queen size	(90" x 90")	requires 60"	(one and two-thirds yards)	of fabric.
King size	(108" x 90")	requires 63"	(one and three-quarters yards)	of fabric.

These figures have been rounded up generously to allow for seam allowances and pattern matching.

Formula for figuring how much fabric is needed to make a blanket binding:

Perimeter of blanket ÷ width of fabric X 6" = amount of fabric required to bind the blanket.

Always round up to allow for seams and pattern matching.